

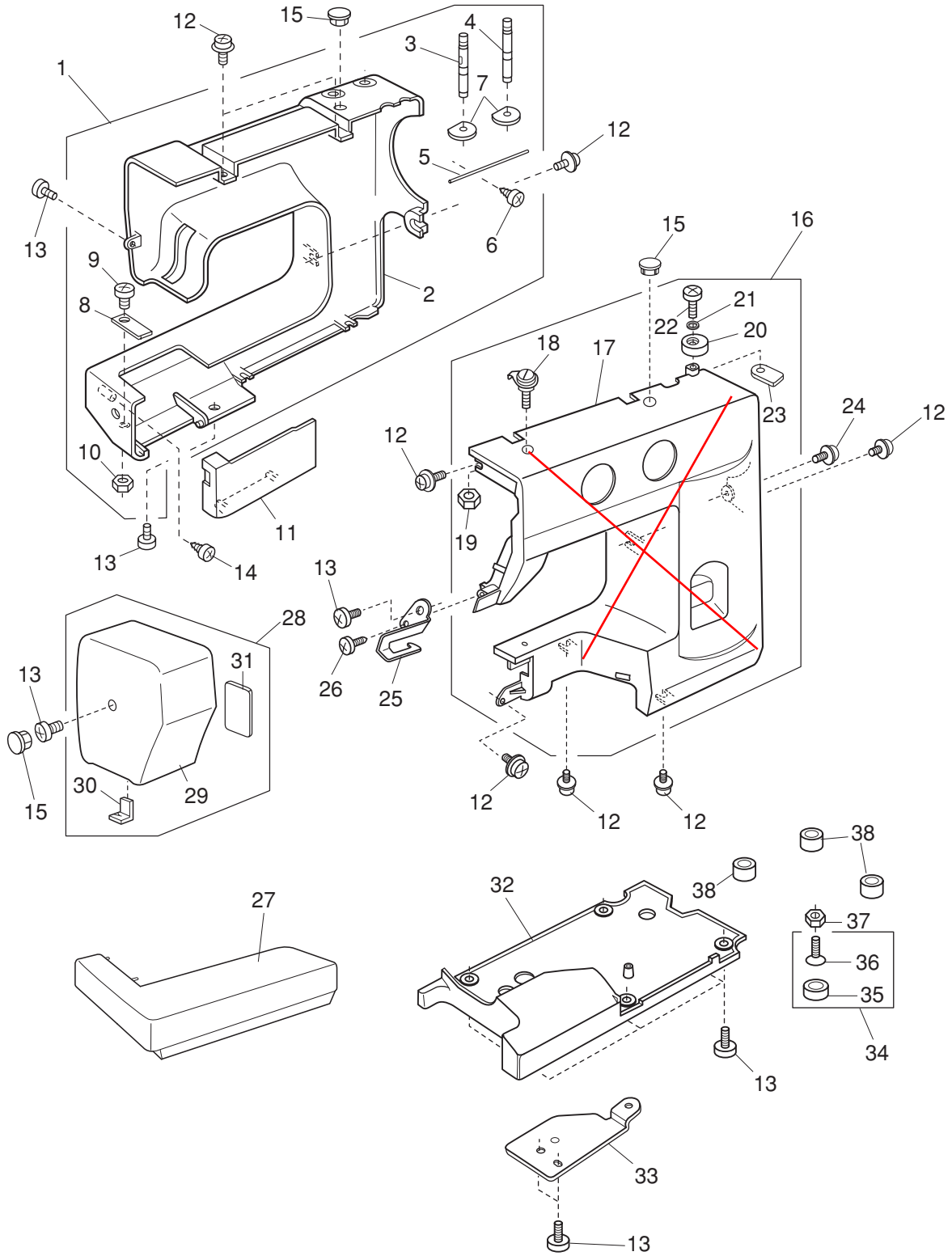
PARTS LIST

MODEL: Due 263(ex262)

	A	B	C	D
1	NECCHI 262 DUE		NECCHI 263 PRIMA	
2	101355124	RATING STICKER	101355135	RATING STICKER
3	100347005	ELECTRICAL RATING PLATE (RAW MATER	100347005	ELECTRICAL RATING PLATE (RAW MATER
4				
5	748005509	SELECT DIAL KNOB (SCREEN)	748005093	SELECT DIAL KNOB (SCREEN)
6	748005004	DIAL KNOB (R/M)	748005004	DIAL KNOB (R/M)
7	748027002	DIAL IND PLATE	748027105	DIAL IND PLATE
8				
9	748005602	FEED DIAL KNOB (SCREEN)	748005118	FEED DIAL KNOB (SCREEN)
10	748005004	DIAL KNOB (R/M)	748005004	DIAL KNOB (R/M)
11	748028003	FEED IND PLATE	748028106	FEED IND PLATE
12				
13	748603307	FRONT COVER (UNIT)	748603086	FRONT COVER (UNIT)
14	748008133	FRONT COVER (SCREEN)	748008292	FRONT COVER (SCREEN)
15	748008100	FRONT COVER(R/M)	748008100	FRONT COVER(R/M)
16	730501011	THR. GUIDE PLATE(UNIT)	730501011	THR. GUIDE PLATE(UNIT)
17	000160102	ADJ. NUT 4	000160102	ADJ. NUT 4
18	735016307	BOBBIN WINDER STOPPER	735016307	BOBBIN WINDER STOPPER
19	000071013	PLAIN WASHER 4	000071013	PLAIN WASHER 4
20	000103107	+ - BIND H. SCREW 4*14	000103107	+ - BIND H. SCREW 4*14
21	744014004	PLATE NUT	744014004	PLATE NUT
22				
23			743634003	LAMP SOCKET (UNIT)
24			655681009	LAMP SOCKET (UNIT)
25			748026001	LAMP SOCKET SET PLATE
26			000120203	+ - BIND H. TAP TITE SCREW 3*8 (B)
27			000009009	LAMP 240V., 15 W.

ATTENZIONE! Per le scocche, vedere pagina prima

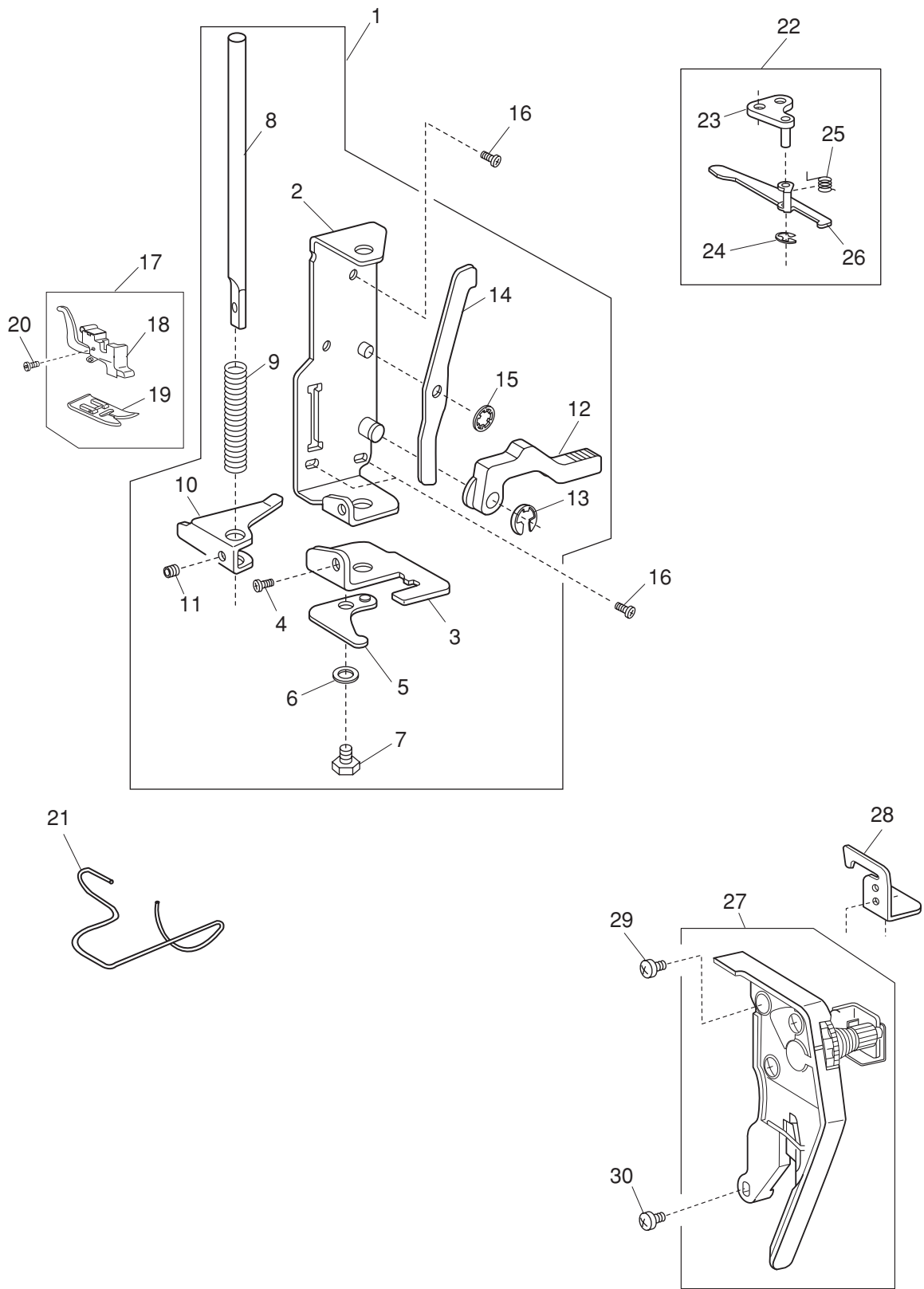
PARTS LIST



PARTS LIST

KEY NO.	PARTS NO.	DESCRIPTION
1	747601106	Rear cover (unit)
2	747002008	Rear cover
3	652302004	Spool pin
4	652205006	Spool pin
5	736007009	Spool pin spring
6	000076317	Tapping screw 3X10
7	735013005	Spool pin spring base
8	730006000	spring
9	000101404	Setscrew 4X6
10	000061205	Nut 4-3-7
11	739004005	Bed cover plate
12	000115205	Setscrew TP 4x6
13	000081005	Setscrew 4X8
14	000121905	Tapping screw 4X12 (B)
15	653006101	Cap
16	748603307	Front cover (unit)
17	748008133	Front cover
18	730501011	Thread guide plate (unit)
19	000160102	Adjustable lock nut 4
20	735016307	Bobbin winder stopper
21	000071013	Washer
22	000103107	Setscrew 4X14
23	744014004	Plate nut
24	000114802	Setscrew TP 4x12
25	745031000	Thread guide
26	000107307	Tapping screw 3X8 (B)
27	748004003	Extension table
28	748601006	Face plate (unit)
29	748002001	Face plate
30	840602006	Thread cutter (unit)
31	724025006	Face plate sticker
32	747001007	Base
33	745004004	Base set plate
34	735616200	Rubber base (unit)
35	735002001	Rubber base
36	000097901	Flat screw
37	000061319	Nut 5-1-8
38	739064003	Bed rubber base

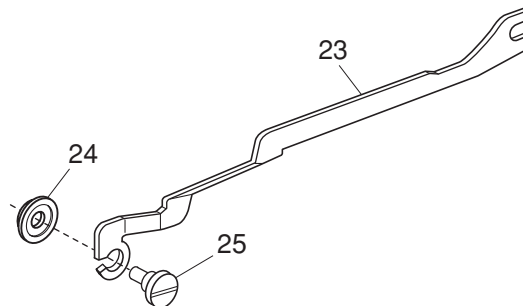
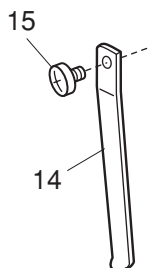
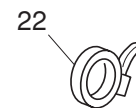
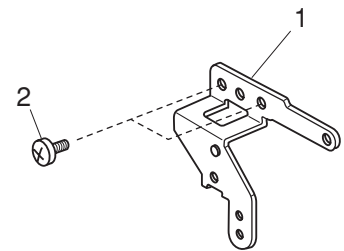
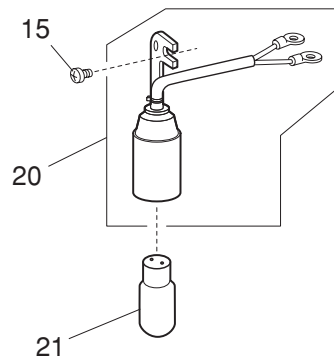
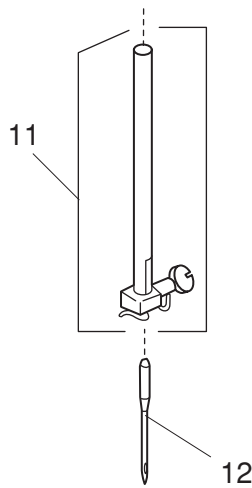
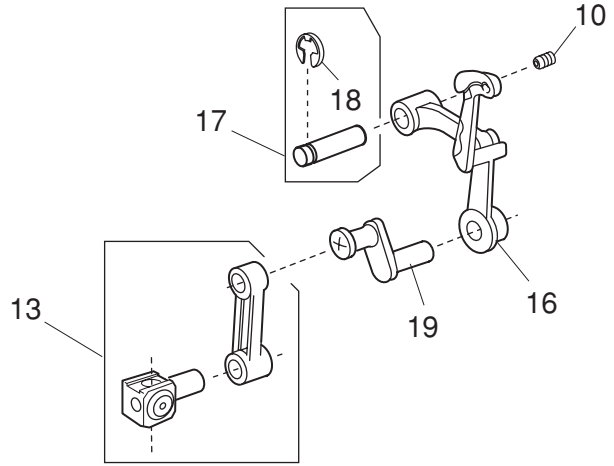
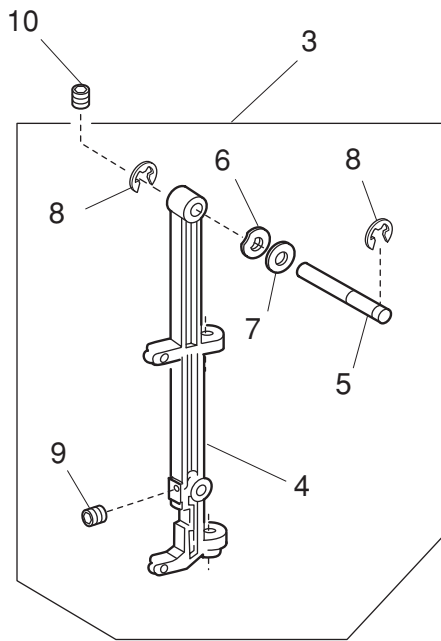
PARTS LIST



PARTS LIST

KEY NO.	PARTS NO.	DESCRIPTION
1	305604004	Presser bar base plate (unit)
2	735221008	Presser bar base plate
3	735222009	Needle drop adjusting plate
4	000101404	Setscrew 4X6
5	735025000	Needle bar supporter stopper
6	000070506	Washer
7	000138307	Bolt 4X8
8	735026001	Presser bar
9	735027002	Presser bar spring
10	735028003	Presser bar bracket
11	000111500	Hexagonal socket screw 4X8
12	735029004	Presser foot lifter
13	000001609	Snap ring E-5
14	735030008	Tension release lever
15	000013903	Snap ring CS-5
16	000081005	Setscrew 4X8
17	301612003	Presser foot (unit)
18	611510000	Foot holder
19	301505002	Zigzag foot
20	647112009	Thumb screw
21	687803008	Finger guard
22	739605002	Tension release arm (unit)
23	739017001	Tension release arm BASE
24	739018002	Tension release arm
25	739019003	Tension release spring
26	000002105	Snap ring E-3
27	748501005	Tension assembly (unit)
28	739016000	Top cover thread guide
29	000103808	Setscrew 3X5
30	000101703	Setscrew 4X12

PARTS LIST



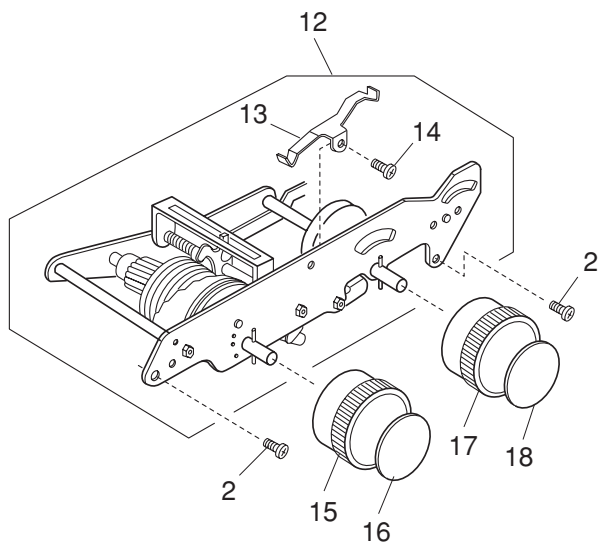
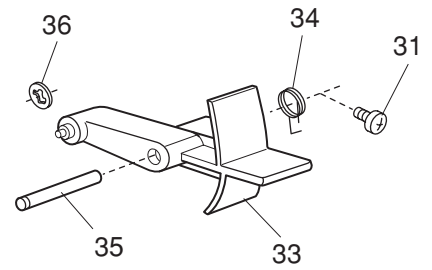
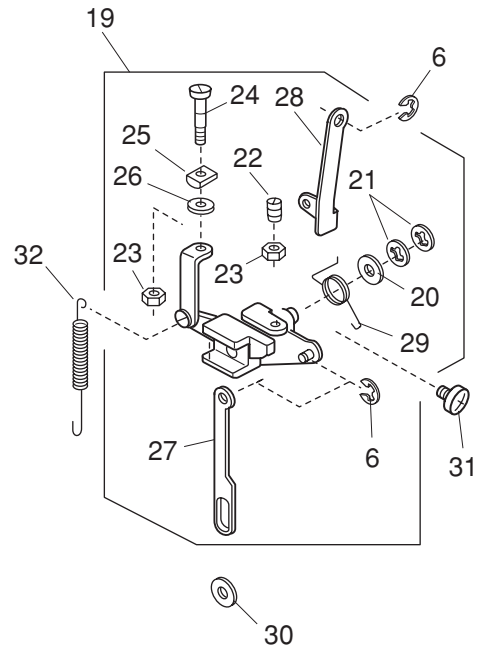
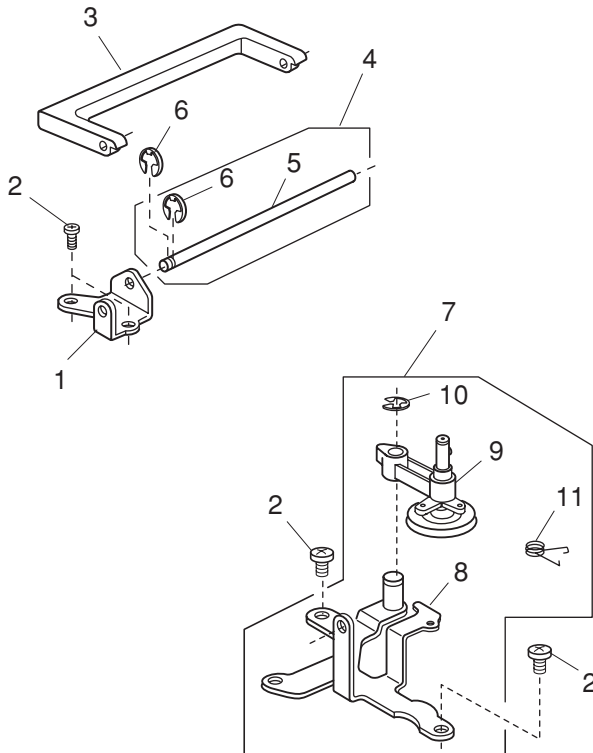
PARTS LIST

KEY NO.	PARTS NO.	DESCRIPTION
1	740007105	Face cover set plate
2	000081005	Setscrew 4x8
3	301610001	Needle bar supporter (unit)
4	301032003	Needle bar supporter
5	730022002	Needle bar supporter pin
6	673022002	Wave washer
7	000070609	Plain washer
8	000002507	Snap ring E-4
9	000111902	Hexagonal socket screw 3x4
10	000111304	Hexagonal socket screw 5x5
11	730503116	Needle bar (unit)
12	102408089	Needle HA1-14
13	680504005	Needle bar connecting stud (unit)
14	730024004	Needle bar supporter spring
15	000101404	Setscrew 4x6
16	625506109	Thread take-up lever (unit)
17	731511006	Thread take-up lever pin (unit)
18	000002806	Snap ring E-6
19	735504008	Needle bar crank pin (unit)
20	737512005	Lamp socket (unit)
21	000009102	Lamp 240V 15W E14
22	000053709	Cord tie band
23	735119002	Zigzag rod
24	748021006	Zigzag rod plain washer
25	678084007	Eccentric pin

PARTS LIST

KEY NO.	PARTS NO.	DESCRIPTION
1	304607004	Upper shaft (unit)
2	102073003	Setscrew
3	000036717	Thrust washer
4	732025001	Upper shaft front bushing
5	639095000	Ring
6	000111304	Hexagonal socket screw 5x5
7	749011109	Worm
8	000111201	Hexagonal socket screw 4x4
9	000112501	Hexagonal socket screw 4x4
10	761052007	Setscrew
11	732003003	Upper shaft rear bushing
12	000172602	Setscrew 5x8
13	731312005	Felt
14	743019006	Belt wheel
15	000023803	Spring pin
16	743029009	Felt
17	000030205	Snap ring E-8
18	748602007	Handwheel (unit)
19	748007006	Handwheel
20	743030003	Balance weight
21	000121400	Setscrew 3x14 (B)
22	748009008	Clutch spring
23	000081005	Setscrew 4x8
24	650070509	Clutch cap
25	304609006	Crank rod (unit)
26	304042005	Feed cam
27	743011008	Crank rod
28	304044007	Crank cam
29	304043006	Crank cam plate
30	000161309	Setscrew 3x12 (B)
31	000110107	Hexagonal socket screw 5x5

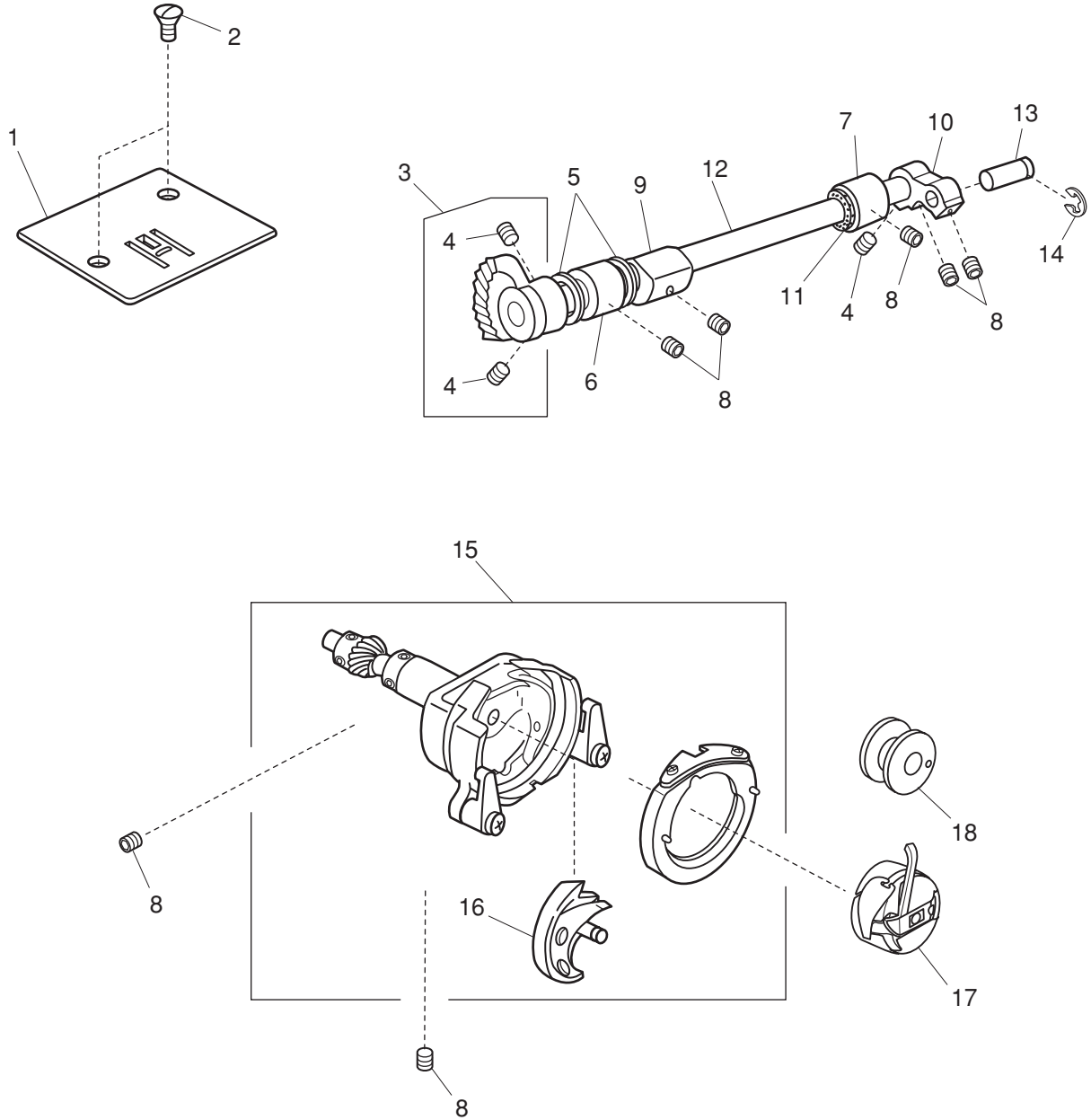
PARTS LIST



PARTS LIST

KEY NO.	PARTS NO.	DESCRIPTION
1	740010008	Handle supporter
2	000081005	Setscrew 4x8
3	735017308	Handle
4	740624001	Carrying handle set pin (unit)
5	740011009	Handle shaft
6	000002105	Snap ring E-3
7	740602209	Bobbin winder supporter (unit)
8	740003101	Bobbin winder base plate
9	735501005	Bobbin winder arm (unit)
10	000002806	Snap ring E-6
11	740042009	Bobbin winder arm spring
12	740608009	Zigzag mechanism (unit)
13	737011009	Index spring
14	000103808	Setscrew 3x5
15	748005509	DIAL
16	748027002	Pattern indicator plate
17	748005602	DIAL
18	748028003	Feed indicator plate
19	736604105	Feed regulator (unit)
20	735073003	Plain washer
21	000013800	Snap ring CS-6
22	648010009	Setscrew
23	000160102	Adjustable lock nut 4
24	735074004	SS adjusting screw
25	735076006	SS rod block
26	000071013	Washer 4
27	745052007	Reverse link
28	739020007	Feed regulating rod
29	735077007	Feed regulating body spring
30	000070609	Washer
31	000101301	Setscrew 5x10
32	670100006	Feed regulator spring
33	747007003	R button
34	739063002	R button spring
35	736015000	R button shaft
36	000014007	Snap ring CS-4

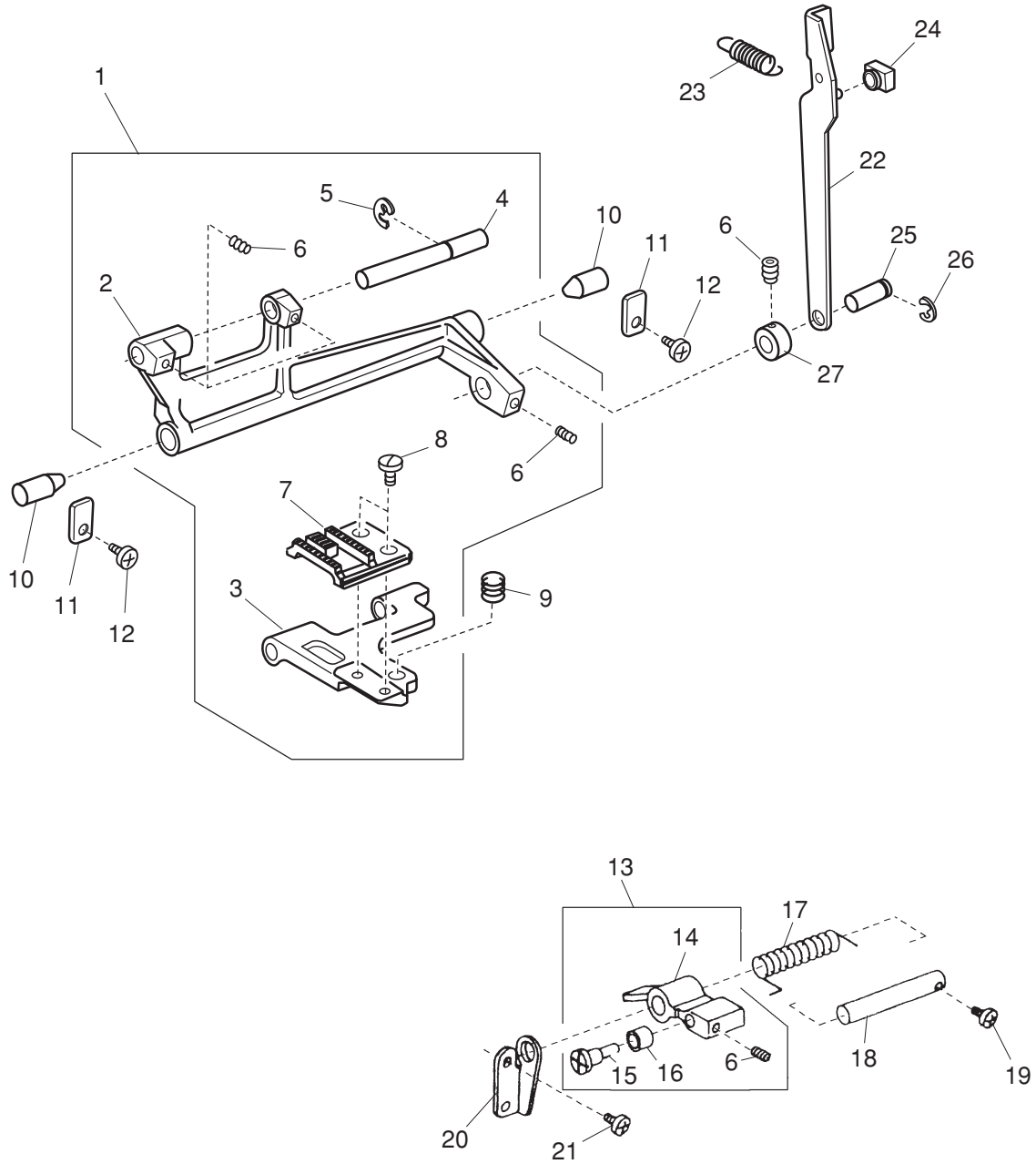
PARTS LIST



PARTS LIST

KEY NO.	PARTS NO.	DESCRIPTION
1	744004001	Needle plate
2	681009101	Setscrew
3	735950003	Lower shaft gear (unit)
4	000110107	Hexagonal socket screw 5x5 WP
5	000036201	Washer 8-0.5
6	735233003	Bushing
7	735234004	Bushing
8	000111304	Hexagonal socket screw 5x5
9	735061101	Feed lifting cam
10	639036003	Lower shaft crank arm
11	822070003	Felt
12	735236006	Lower shaft
13	639037004	Pin
14	000001609	Snap ring E-5
15	735610101	Shuttle race body (unit)
16	532096007	Shuttle hook
17	647515006	Bobbin case (unit)
18	102261000	Bobbin

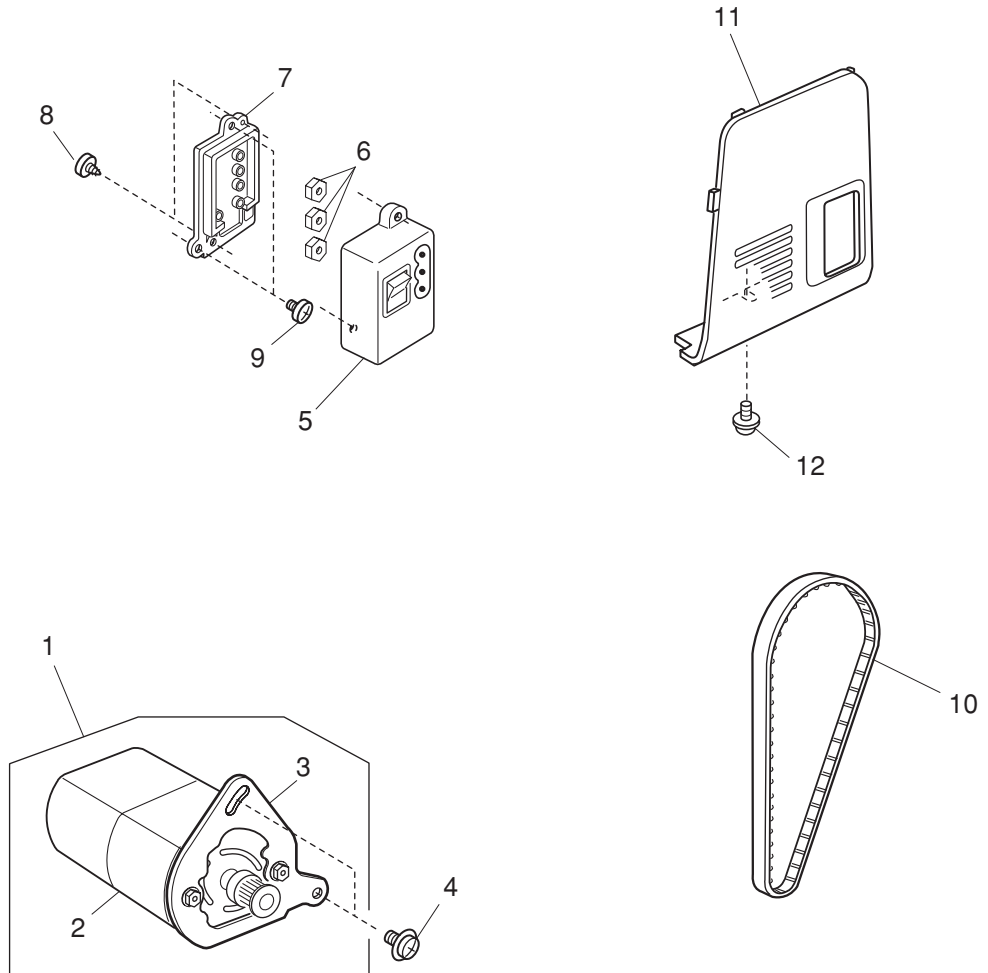
PARTS LIST



PARTS LIST

KEY NO.	PARTS NO.	DESCRIPTION
1	735612000	Feed rock shaft (unit)
2	735078008	Feed rock shaft
3	735079009	Feed bar
4	735080003	Feed bar shaft
5	000002507	Snap ring E-4
6	000111201	Hexagonal socket screw 4x4
7	735081004	Feed dog
8	735082005	Setscrew
9	735083006	Feed bar spring
10	735084007	Feed rock shaft center
11	735085008	Feed rock shaft center plate
12	000101404	Setscrew 4x6
13	301609007	Feed lifting arm (unit)
14	301027005	Feed lifting arm
15	735087000	Feed lifting pin
16	735088001	Feed lifting roller
17	735089002	Feed lifting spring
18	735090006	Feed lifting shaft
19	000097200	Setscrew 4x12
20	739022009	Feed lifting shaft holder
21	000081119	Setscrew 4x6
22	743012009	Feed rod
23	743013000	Feed rod spring
24	102141003	Feed regulator slide block
25	735071001	Feed rock shaft connecting pin
26	000002806	Snap ring E-6
27	735276008	Ring

PARTS LIST

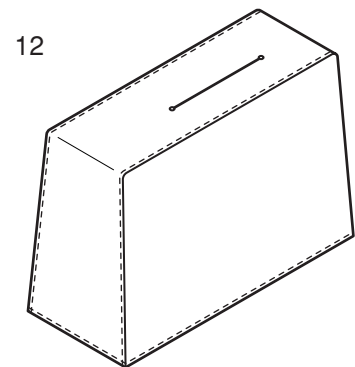
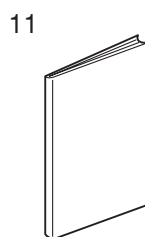
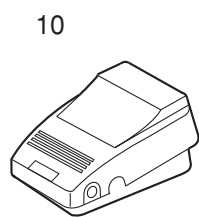
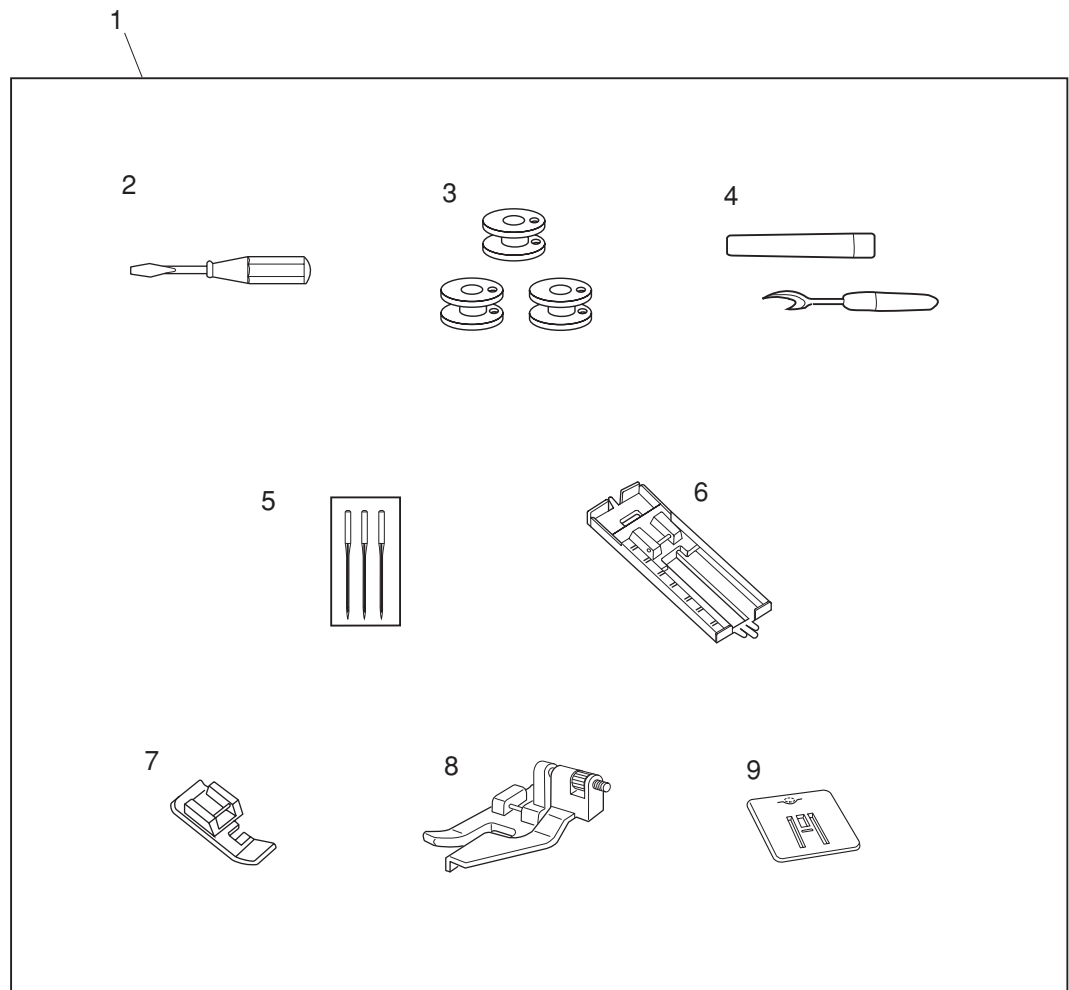


PARTS LIST

KEY NO.	PARTS NO.	DESCRIPTION
1	743611303	Motor (unit)
2	024070407	Motor assy
3	743025005	Motor set plate
4	000201209	Setscrew 5x12
5	739503308	Machine socket (unit)
6	000060802	Nut
7	739037007	Machine socket cover
8	000107802	Setscrew 3x10 (B)
9	000103509	Setscrew 4x10
10	650166008	Motor timing belt
11	747013002	Belt cover
12	000115205	Setscrew TP 4x6

PREFISSO "J"

PARTS LIST



PARTS LIST

KEY NO.	PARTS NO.	DESCRIPTION
1	748870008	Accessory set
2	647803004	Screw driver (small)
3	102261000	Bobbin
4	647808009	Seam ripper (unit)
5	639804000	Needle set (unit)
6	611413002	Buttonhole foot (unit)
7	611406002	Zipper foot (unit)
8	611411000	Blind hem stitch foot
9	735801008	Darning plate
10	042870308	Foot control
11	748800041	Instruction book
12	741811000	Cover

PREFISSO "J"